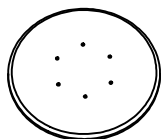


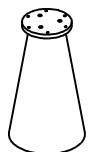
# ASSEMBLY INSTRUCTION

A



1PC

B



1PC

C



4PCS

Ø8\*18MM

D



4PCS

M8\*25MM

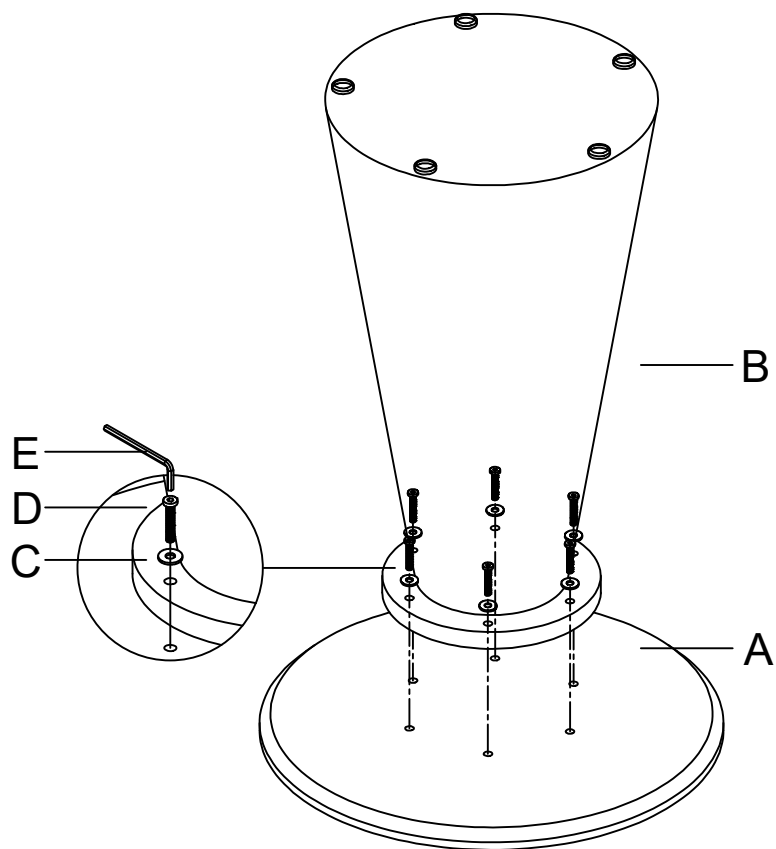
E



1PC

M5

Step.1



Step.2

