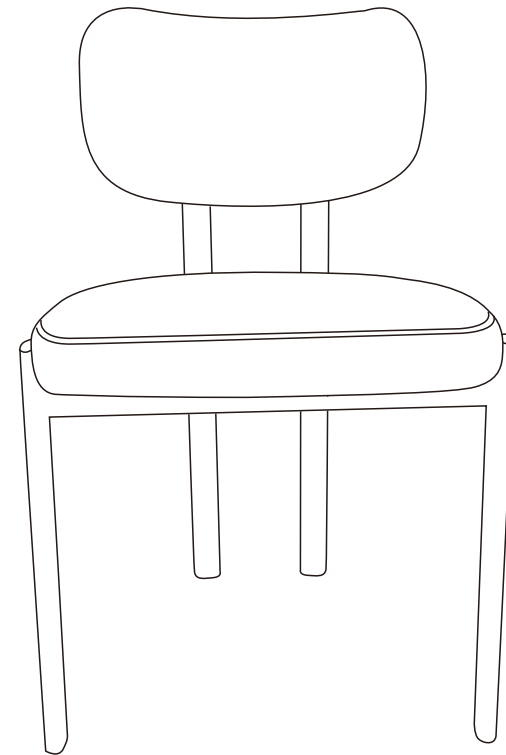
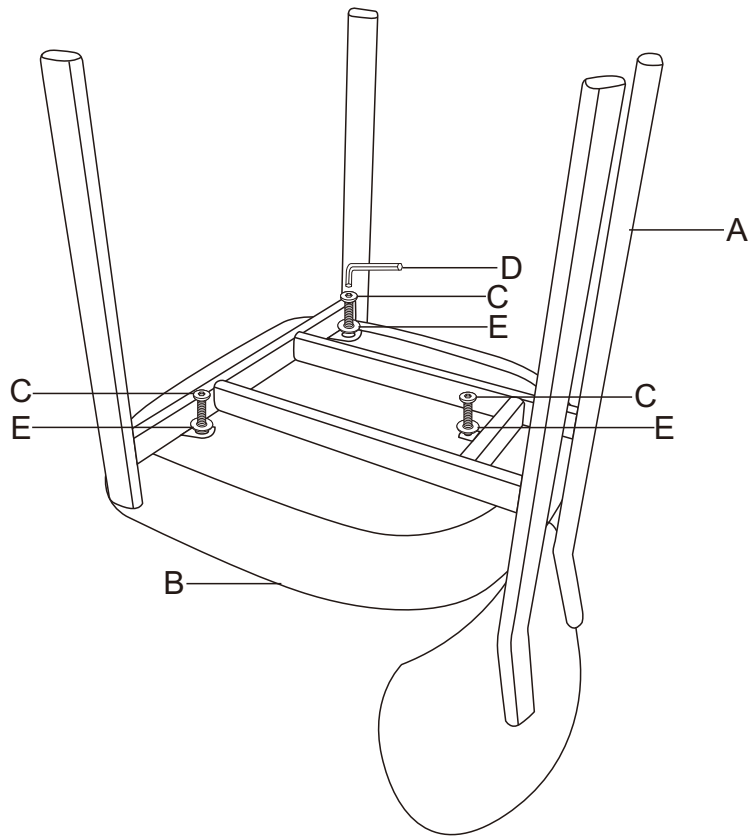
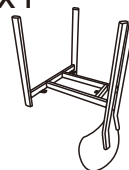


ASSEMBLY INSTRUCTION



Ax1



Bx1



Cx3



M6x20mm

Dx1



M5

Ex3



M6x18x1.5mm